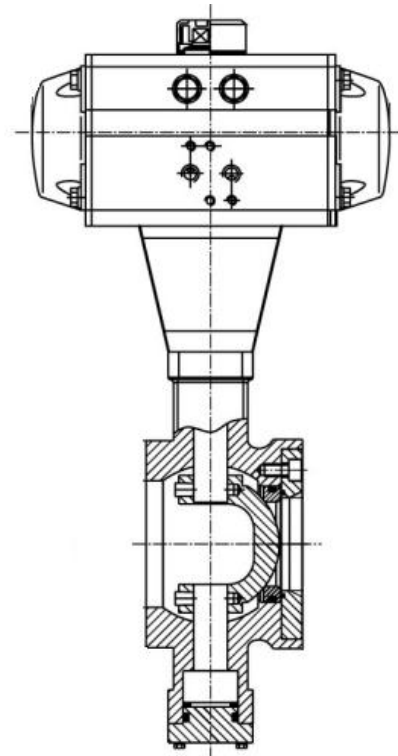


STANDARD SPECIFICATION

CHUANHU

气动对夹式 V 型球阀

Pneumatic wafer V-type ball valve



上海川沪阀门有限公司

ShangHai Chuanhu Valve CO.,LTD

概述

V型球阀适用于要求大调节比的控制系统，特别适用于泥浆和含有纤维介质，以及含有微小固体悬浮物介质的调节。因而广泛应用于石油、化工、制药、冶金、轻纺、造纸、污水处理等生产部门的气体、蒸汽、液体输送管道中介质流量调节，以达到生产过程按控制要求。

GENERAL

V-type ball valve suitable to large adjustment ratio control system, especially suitable for mud and contains fiber media, and regulation contain tiny suspended solid medium. It is widely used in petroleum, chemical, pharmaceutical, metallurgical, textile, papermaking, wastewater treatment and other production departments of the gas, steam, liquid pipeline medium flow control, to achieve the production process according to the control requirements.

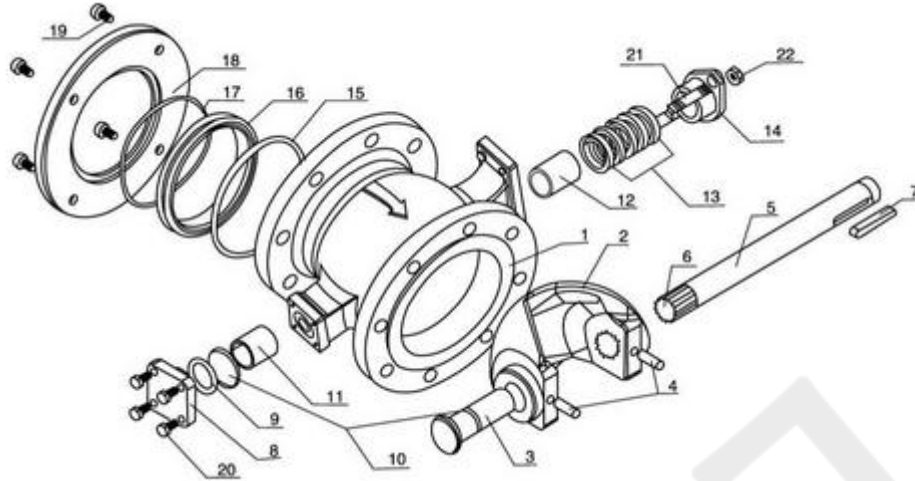
标准规格 STANDARD SPECIFICATION

公称通径 Body size	DN25~500
公称压力 Body ratings	PN1.6,4.0,6.4,10.0; ANSI Class 150,300,600; JIS 10K,30K,40K
尺寸标准 Dimension standard	国标、美标、日标 GB, American standard, Japanese standard
阀体材质 Body material	碳钢 Carbon steel(WCB), 不锈钢 Stainless steel(CF8, CF8M, CF3, CF3M)
阀座材质 Seat material	聚四氟乙烯 (F)、对位聚苯 (PPL)、尼龙 (N)、硬质合金 (H、Y) PTFE, PPL, N, H, Y
作用方式 Mode of action	双作用、单作用 (弹簧复位) Double-acting/Single-acting type(spring reposition)
控制方式 Control	开关型、调节型 Switch type, Adjust type
附件选择 Selection of Accessories	电磁阀、定位器、限位开关、气源三联件、手动机构 Solenoid valve, Locator, Limit switch, F.R.L. COMBINATION UNIT, Manual Device

设计依据 Design Basis	GB 标准 Standard
设计标准 Design standard	GB/12237 ANSI B16.34
连接法兰尺寸 Connecting Flange Size	GB/9113. JB/T79 ANSI B16.34
试验和检验 Test & inspection	JB/T9092 API598

※注：系列球阀结构长度及连接法兰尺寸可根据用户要求设计制造。

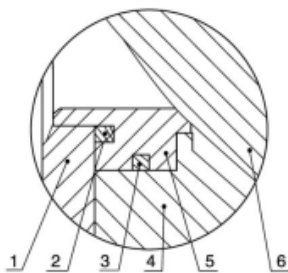
Note: The structural length and connecting flange size of ball valve series can be designed and manufactured as per users' requirements.

结构图和零件材质表 STRUCTURE AND MAIN MATERIAL TABLE


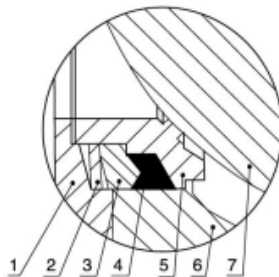
序号 No.	名称	Name	数量 (件) Quantity (pieces)	材料 Material
1	阀体	Body	1	WCB. CF8. CF8M. CF3. CF3M
2	阀芯	Spool	1	CF8、CF8M+镀硬铬
3	后阀杆	After steam	1	17-4PH. SS316
4	圆柱销	Cylindrical pin	2	SS304. SS316
5	前阀杆	Before steam	1	17-4PH. SS316
6	花键	Spline	1	17-4PH. SS316
7	平键	Flat key	1	Ss304、45#
8	后压盖	After gland	1	CF8. CF8M
9	O 形圈	"O"-Ring	1	氟橡胶 Viton
10	调整垫	Adjust pad	各 1	PTFE
11	自润滑轴承	Self-lubricating bearings	1	复合材料 Composite material
12	自润滑轴承	Self-lubricating bearings	1	复合材料 Composite material
13	填料	Packing	1 组	PTFE
14	填料压盖	Gland	1	CF8
15	O 形圈	" O"-Ring	1	氟橡胶 Viton
16	密封座	Seal block	1	PTFE、SS304、SS316+镀硬铬
17	密封座弹簧	Seal block spring	1	SS316
18	密封座盖	Sealing lid	1	Q235. SS304. SS316
19	内六角螺钉	inner Hexagon screw		SS304
20	六角螺钉	Hexagon screw	4	SS304
21	双头螺钉	Double-headed screw	2	SS304
22	六角螺母	Hexagon nut	2	SS304

※注：系列球阀结构长度及连接法兰尺寸可根据用户要求设计制造。

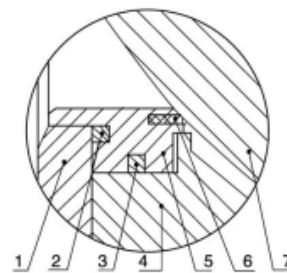
Note: The structural length and connecting flange size of ball valve series can be designed and manufactured as per users' requirements.

金属密封阀座
 Metal sealing seat


流向 Flow

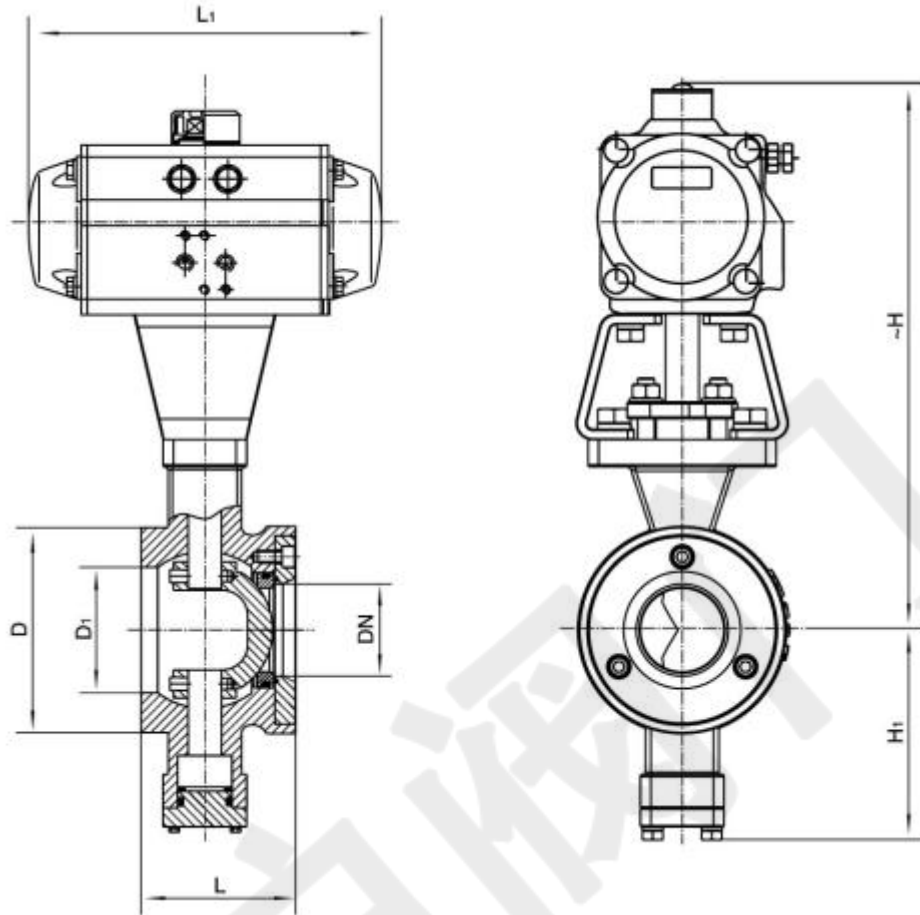
高温型金属密封阀座
 High-temperature metal seal seat


流向 Flow

软阀座
 Soft Seat


流向 Flow

金属密封阀座 Metal sealing seat			
序号 No.	名称 Name	温度范围℃	Temperature range
1	密封阀盖 Seal Bonnet	-20~1600C -20~230'C	
2	弹簧 Spring		
3	O 形圈 “O“-Ring		
4	阀体 Body		
5	密封座 Seal Block		
6	阀芯 Spool		
高温型金属密封阀座 High-temperature metal seal seat			
序号 No.	名称 Name	温度范围℃	temperature range
1	密封阀盖 Seal Bonnet	-20—425C	
2	蝶簧 Butterfly Spring		
3	压圈 Flower ring		
4	石墨环 Graphite ring		
5	阀座 Seat		
6	阀体 Body		
7	阀芯 Spool		
软密封 Soft seat			
序号 No	名称 Name	温度范围℃	temperature range
1	密封阀盖 Seal Bonnet	-20—160℃	
2	弹簧 Spring		
3	O 形圈 “O “-Ring		
4	阀体 Body		
5	密封座 Seal Block		
6	密封固(PTFE) Seal Ring		
7	阀芯 Spool		

主要外形及连接法兰尺寸 MAIN OUTLINE AND CONNECTING FLANGE SIZE

PN16(1.6MPa) PN25(2.5MPa) Dimension

公称通径 Nominal diameter DN	外形 / 连接尺寸 Outline/Connecting Size						执行器型号 Actuator Model
	L	L1	—H	H _i	D	D _i	
25	62	159/248	260/290	87	68	38	AT063D/AT088S
32	62	159/248	267/297	87	78	42	AT063D/AT088S
40	62	211/248	292/312	87	85	50	AT075D/AT088S
50	75	248/269	292/312	97	100	60	AT088D/AT100S
65	90	248/315	332/340	112	120	75	AT088D/AT115S
80	100	269/345	359/381	112	130	94	AT100D/AT125S
100	115	345/409	394/411	122	158	110	AT125D/AT145S
125	129	409/438	410/416	142	180	135	AT145D/AT160S
150	160	438/550	461/486	165	216	165	AT160D/AT190S
200	200	550/600	509/553	195	268	210	AT190D/AT210S
250	240	633/730	572/628	237	325	260	AT240D/AT270S

Class 150lb Dimension

公称通径 Nominal diameter DN		外形 / 连接尺寸 Outline/Connecting Size						执行器型号 Actuator Model
		L	L1	~H	Hi	D	Di	
25	1	62	159/248	260/290	87	68	38	AT063D/AT088S
32	1 1/4	62	159/248	267/297	87	78	42	AT063D/AT088S
40	1 1/2	62	211/248	292/312	87	85	50	AT075D/AT088S
50	2	75	248/269	292/312	97	100	60	AT088D/AT100S
65	2 1/2	90	248/315	332/340	112	120	75	AT088D/AT115S
80	3	100	269/345	359/381	112	130	94	AT100D/AT125S
100	4	115	345/409	394/411	122	158	110	AT125D/AT145S
125	5	129	409/438	410/416	142	180	135	AT145D/AT160S
150	6	160	438/550	461/486	165	216	165	AT160D/AT190S
200	8	200	550/600	509/553	195	268	210	AT190D/AT210S
250	10	240	633/730	572/628	237	325	260	AT240D/AT270S

※注：系列球阀结构长度及连接法兰尺寸可根据 JB/T79 标准或用户要求设计制造。

※注：数据 XXX/XXX 分别是气动执行器双作用式，单作用式（弹簧复位）。

※注：根据不同阀门扭矩、使用介质适配的执行器型号可能有所不同，相关尺寸随之变化。

※注：以上执行器配置及数据均采用软密封(F、N、P)阀门，硬密封阀门的配置及数据请咨询本公司。

Note: The structural length and connecting flange size of ball valve series can be designed and manufactured as per JB/T79 standard or users' requirements

Note: Data XXX/XXX represent respectively the double-acting/single-acting type(spring reposition)of pneumatic actuator

Note: The relative sizes are subject to change responding to the difference in valve torque, medium and actuator model

订货须知 ORDERING INFORMATION

代号 Code	材料 Material	适用温度(°C)Applicable Temperature
F	增强聚四氟乙烯 Reinforced Polytetrafluoroethylene(PTFE)	-40-180
PPL	对位聚苯 Polyparaphenylene	-40-300
N	尼龙 Nylon	-20-80
Y	硬质合金 Hard Alloy	-40-425

根据不同控制和要求可选择下列附件:

切断型附件: 单电控电磁阀、双电控制电磁阀、限位开关回讯器。

调节型附件: 电-气定位器、电气转换器。

气源处理附件: 空气过滤减压阀、气源处理三联件。

手动机构: XLHJ 系列

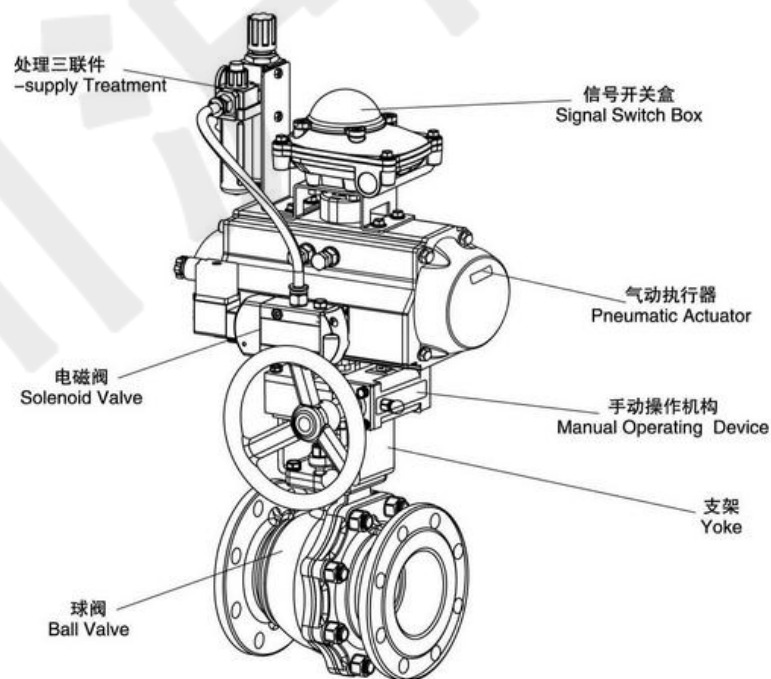
According to the different control and the request can choose the following accessories:

Shut-off Accessories: Single electrically-controlled magnetic valve. Double electrically-controlled Solenoid valve. signal saver of limit switch

Adjusting Accessories: EP/PP-positioner. electric-pneumatic converter.

Air-supply Treatment Accessories: air-filtering reducing valve. F.R.L. COMBINATION UNIT.

Manual Device: XLHJ Series





上海川沪阀门有限公司
SHANGHAI CHUANHU VALVE CO.,LTD

地址：上海市奉贤区金汇工业园金碧路 358 号
电话：86-021-5186 3046
传真：86-021-5186 3049
邮箱：chvalve@126.com
邮编：210404
网址：<http://www.chuanhuvalve.com>

Add: Shanghai Fengxian District Jinhui Industrial Garden Jinbi Road No. 358
Tel: 86-021-5186 3046
Fax: 86-021-5186 3049
Mail: chvalve@126.com
Code: 210404
Website: <http://www.chuanhuvalve.com>

