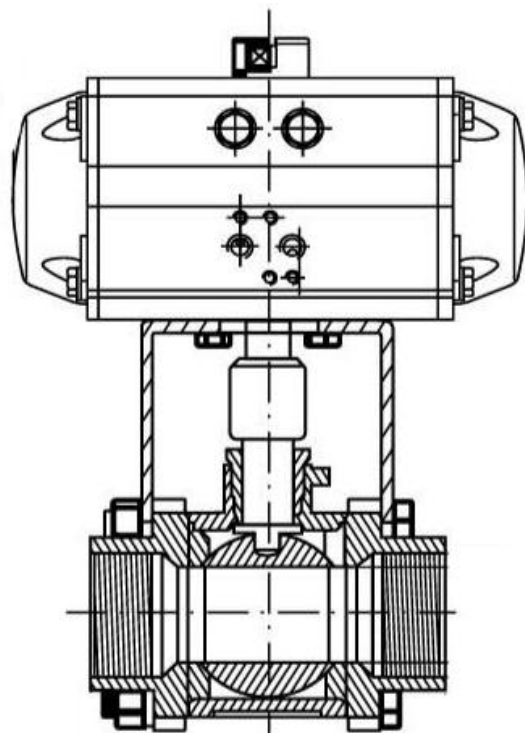


STANDARD SPECIFICATION

CHUANHU

气动直通内螺纹球阀

**Pneumatic direct  
Internal thread ball valve**



上海川沪阀门有限公司

ShangHai Chuanhu Valve CO.,LTD

## 概述

球阀具有极优切断性能。当阀门全开时其流路和管道内径基本相同，流体压力损失极小，因此最适合于各种液体、气体、料浆等流体的切断控制。

## GENERAL

Ball valve has very excellent shut-off function. When all open it flows the road similar to path inside the piping basically, the fluid pressure lose smallest, so it is the most suitable for shut-off control of various liquid, air, slurry etc.

## 标准规格 STANDARD SPECIFICATION

公称通径 Body size	DN10~100
公称压力 Body ratings	PN1.6,4.0,6.4 ANSI Class 150,300;
尺寸标准 Dimension standard	国标、美标 GB, American standard
阀体材质 Body material	碳钢 Carbon steel(WCB), 不锈钢 Stainless steel(CF8, CF8M, CF3, CF3M)
阀座材质 Seat material	聚四氟乙烯 (F)、对位聚苯 (PPL)、尼龙 (N)、硬质合金 (H、Y) PTFE, PPL, N, H, Y
作用方式 Mode of action	双作用、单作用 (弹簧复位) Double-acting/Single-acting type(spring reposition)
控制方式 Control	开关型、调节型 Switch type, Adjust type
附件选择 Selection of Accessories	电磁阀、定位器、限位开关、气源三联件、手动机构 Solenoid valve, Locator, Limit switch, F.R.L. COMBINATION UNIT, Manual Device

设计依据 Design Basis	GB 标准 Standard	ANSI 标准 Standard
设计标准 Design standard	G B/12237	ANSI B16.34
试验和检验 Test & inspection	JB/T9092	API 598

※注：系列球阀结构长度及连接法兰尺寸可根据用户要求设计制造。

Note: The structural length and connecting flange size of ball valve series can be designed and manufactured as per users' requirements.

结构图和零件材质表 STRUCTURE AND MAIN MATERIAL TABLE



Q611  
 内螺纹连接  
 Inside thread connection



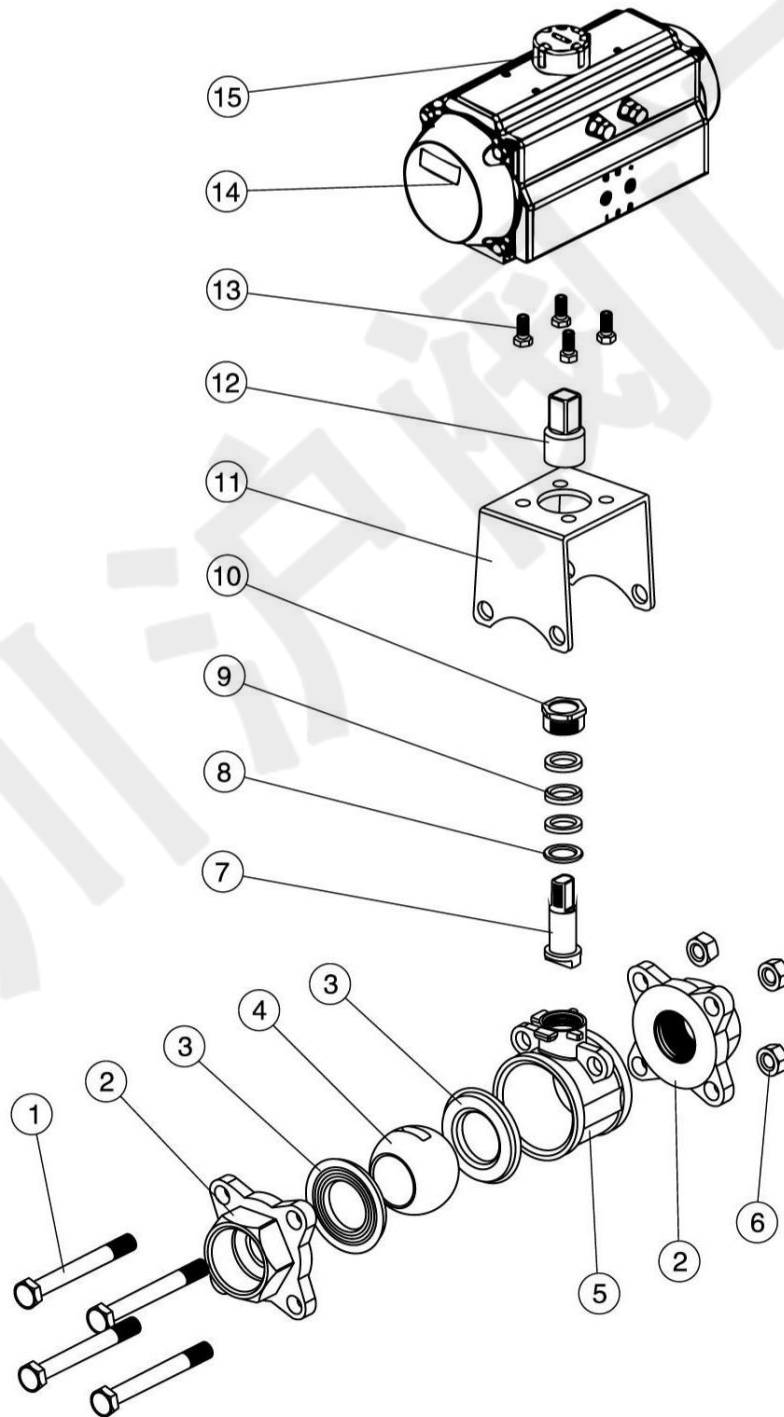
OVQ661  
 对焊连接  
 Welding connection



Q681  
 卡箍连接  
 Hoop connection



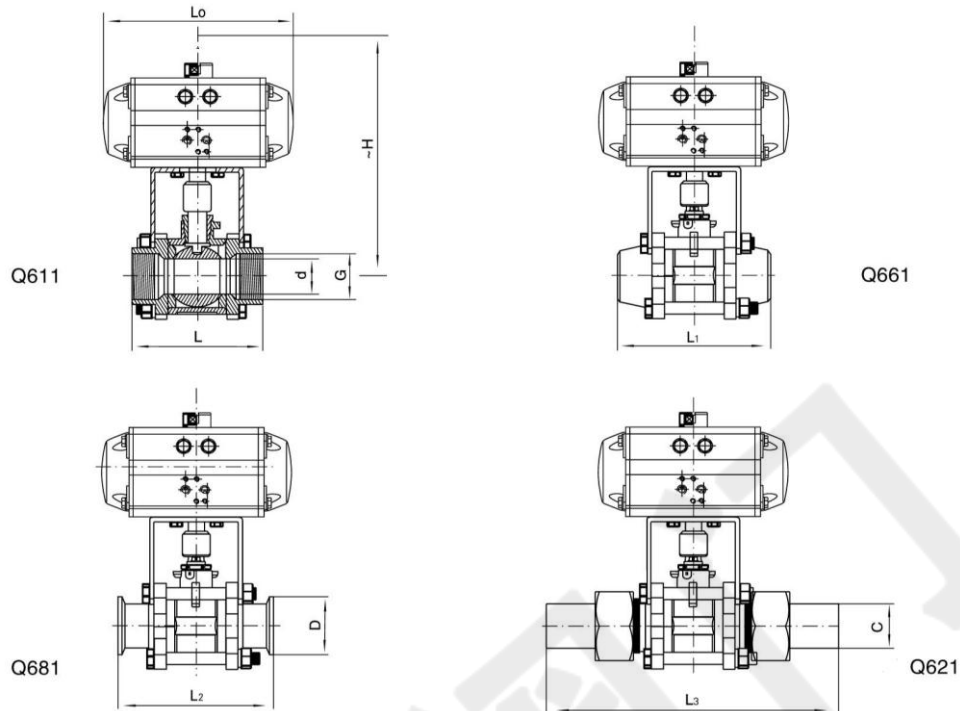
Q621  
 外螺纹连接  
 Outside thread connection



序号 No.	零件名称 Name of parts	材质 Material
1	螺栓 Screw	不锈钢 304
2	接头 Connector	不锈钢 CF8、CF8M、CF3、CF3M
3	阀座 Seat	硬质合金(H/Y) PTFE、尼龙(Nylon)、对位聚苯(PPL)
4	球体 Ball	不锈钢 304、304L、316、316L
5	阀体 Body	不锈钢 CF8、CF8M、CF3、CF3M Stainless Steel CF8、CF8M、CF3、CF3M
6	螺母 Nut	Stainless Steel 304 不锈钢 304
7	阀杆 Stem	不锈钢 304、304L、316、316L Stainless Steel 304、304L、316、316L
8	垫片 Gasket	不锈钢 304、316 Stainless Steel 304、316
9	填料 Packing	PTFE
10	压盖 Gland	不锈钢 304、316 Stainless Steel 304、316
11	连接支架 Connecting Yoke	不锈钢 CF8 Stainless Steel CF8
12	连接套 Connecting Set	不锈钢 304 Stainless Steel 304
13	螺栓 Screw	不锈钢 304 Stainless Steel 304
14	气动执行器 Pneumatic Actuator	AT 系列 Series
15	位置指示器 Location Indicator	塑料 Plastic

※注：系列球阀主要零部件及密封圈的材质可根据实际工况条件或用户特殊要求设计选用。

Note: The main spare parts and sealing-ring materials of ball valve series can be designed for options as per real working conditions and users' special requirements

**主要外形及连接法兰尺寸 MAIN OUTLINE AND CONNECTING FLANGE SIZE**

**PN16 ~ PN64(1.6 ~ 6.4MPa) Dimension**

公称通径 Nominal diameter		连接尺寸 Connecting size										执行器型号 Actuator Model
DN	in	d	L	G	L1	L2	D	L3	c	Lo	—H	
15	1/2	15	72	1/2"	70	100	34	170	21	141/159	159/175	AT050D/AT063S
20	3/4	20	82	3/4"	85	110	50.5	185	26	141/159	167/183	AT050D/AT063S
25	1	25	90	1"	95	120	50.5	200	31	141/211	172/215	AT050D/AT075S
32	1-1/4	32	112	1-1/4"	110	131	50.5	225	38	159/211	210/230	AT063D/AT075S
40	1-1/2	40	120	1-1/2"	201/209	98/108	50.5	260	46	211/248	218/248	AT075D/AT088S
50	2	50	145	2"	209/242	108/120	65	300	60	211/269	248/283	AT075D/AT100S
65	2-1/2	65	185	2-1/2"	242/275	120/132	77.5			248/315	273/320	AT088D/AT115S
80	3	80	210	3"	275/332	132/148	91			269/345	313/335	AT100D/AT125S

※注：系列球阀结构长度及连接法兰尺寸可根据 JB/T79 标准或用户要求设计制造。

※注：数据 XXX/XXX 分别是气动执行器双作用式 / 单作用式（弹簧复位）。

※注：根据不同阀门扭矩、使用介质适配的执行器型号可能有所不同，相关尺寸随之变化。

※注：以上执行器配置及数据均采用软密封(F、N、P)阀门，硬密封阀门的配置及数据请咨询本公司。

Note: The structural length and connecting flange size of ball valve series can be designed and manufactured as per JB/T79 standard or users' requirements

Note: Data XXX/XXX represent respectively the double-acting/single-acting type (spring reposition) of pneumatic actuator

Note: The relative sizes are subject to change responding to the difference in valve torque, medium and actuator model

Note: the above actuator configuration and data all use soft-sealed valves (F,N,P) and hard-sealed valves, or consulting us if you have more questions.

## 订货须知 ORDERING INFORMATION

代号 Code	材料 Material	适用温度(°C)Applicable Temperature
F	增强聚四氟乙烯 Reinforced Polytetrafluoroethylene(PTFE)	-40-180
PPL	对位聚苯 Polyparaphenylene	-40-300
N	尼龙 Nylon	-20-80
Y	硬质合金 Hard Alloy	-40-425

根据不同控制和要求可选择下列附件:

切断型附件: 单电控电磁阀、双电控制电磁阀、限位开关回讯器。

调节型附件: 电-气定位器、电气转换器。

气源处理附件: 空气过滤减压阀、气源处理三联件。

手动机构: XLHJ 系列

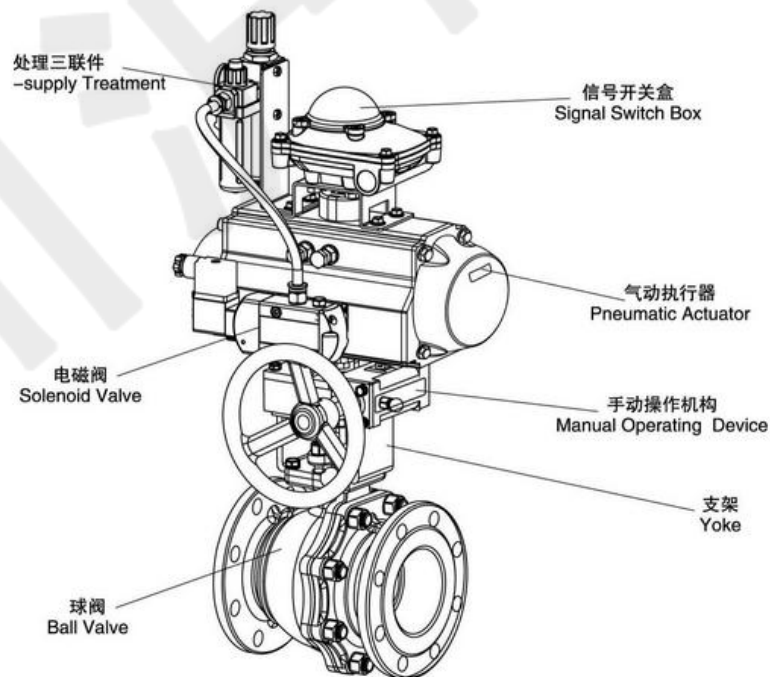
According to the different control and the request can choose the following accessories:

Shut-off Accessories: Single electrically-controlled magnetic valve. Double electrically-controlled Solenoid valve. signal saver of limit switch

Adjusting Accessories: EP/PP-positioner. electric-pneumatic converter.

Air-supply Treatment Accessories: air-filtering reducing valve. F.R.L. COMBINATION UNIT.

Manual Device: XLHJ Series





地址：上海市奉贤区金汇工业园金碧路 358 号  
电话：86-021-5186 3046  
传真：86-021-5186 3049  
邮箱：chvalve@126.com  
邮编：210404  
网址：<http://www.chuanhuvalve.com>

Add: Shanghai Fengxian District Jinhui Industrial Garden Jinbi Road No. 358  
Tel: 86-021-5186 3046  
Fax: 86-021-5186 3049  
Mail: chvalve@126.com  
Code: 210404  
Website: <http://www.chuanhuvalve.com>

